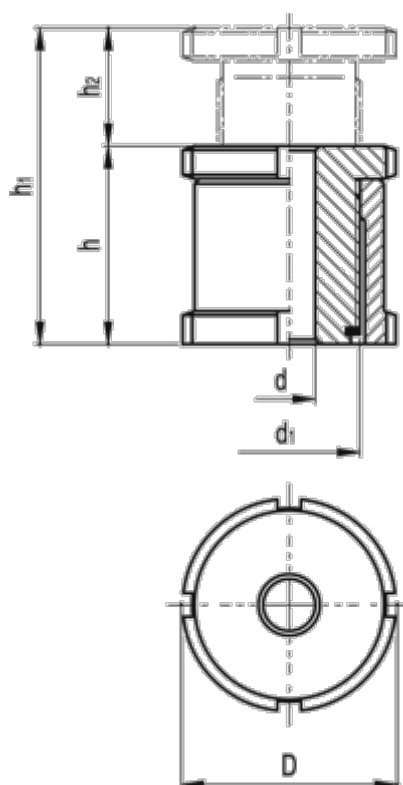


Data Sheet



Article number: 20662259C
Description: E+G Levelling set
GN 350-70-33-A-NI

Measures



C-spanner DIN 1810 = A68-75
 d = 33.0
 D = 70
 d_1 = M50x1,5
For screw = M30
 h = 66
 h_1 = 106
 h_2 = 40

Max static load (N) = 225.0
Static preload (N) = 20.6
Weight (g) = 1210